

IMPORTANT: READ ALL OF THESE INSTRUCTIONS BEFORE INSTALLING THE TIB-515.

SAFETY CONSIDERATIONS

Read and follow the manufacturer instructions carefully. All wiring must conform to local and national electrical codes. Improper wiring or installation may damage the sensor.

Recognize safety information. This is the safety alert symbol . When the safety alert symbol is present on equipment or in the instruction manual, be alert to the potential for personal injury.

Understand the signal words DANGER, WARNING, and CAUTION. These words are used with the safety alert symbol. DANGER identifies the most serious hazards which will result in severe personal injury or death. WARNING signifies a hazard which could result in personal injury or death. CAUTION is used to identify unsafe practices which may result in minor personal injury or property damage.

GENERAL

The TIB-515 allows the use of a conventional thermostat with your Trane HVAC unit.

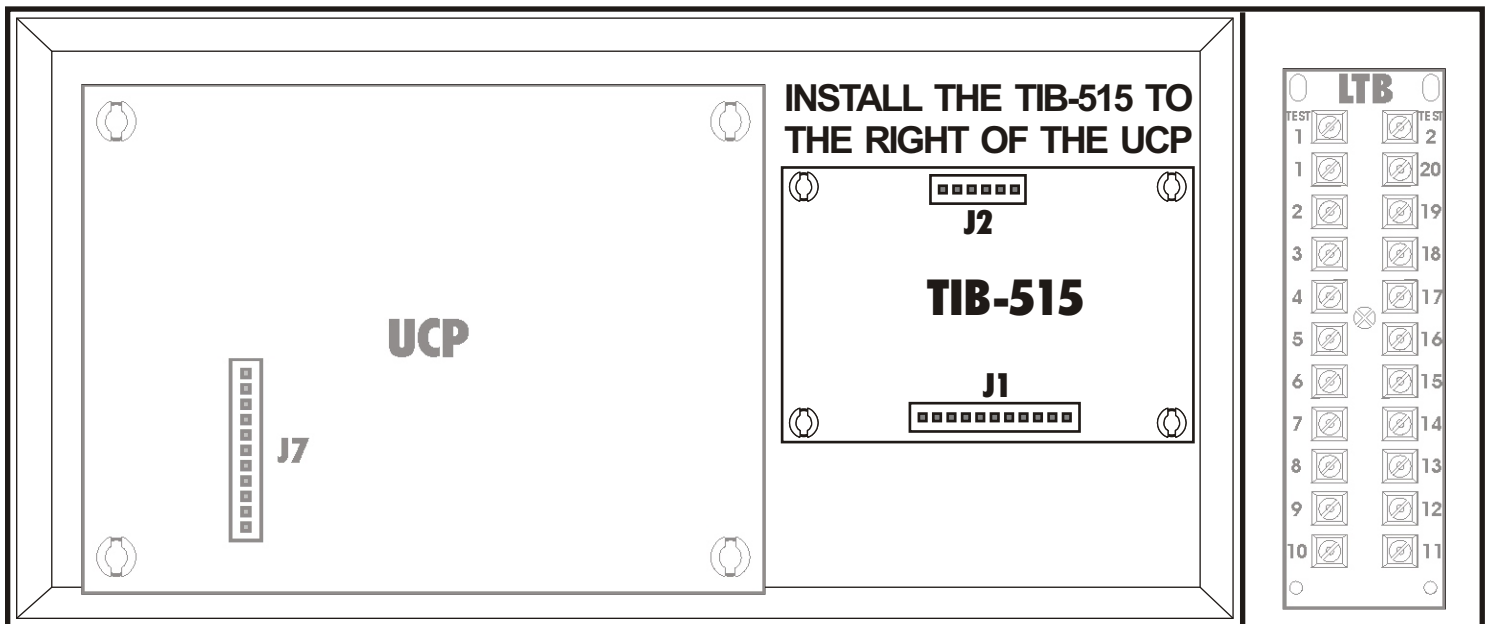
1 TIB-515 Installation

⚠ WARNING

Turn off power to the HVAC unit before wiring. Death or injury from electric shock could result.

- 1 Turn off power to the HVAC unit.
- 2 Remove the access panel and the front panel of the control box.
- 3 The TIB-515 should be installed to the right of the Unitary Control Processor (UCP) using the provided screws (see below).

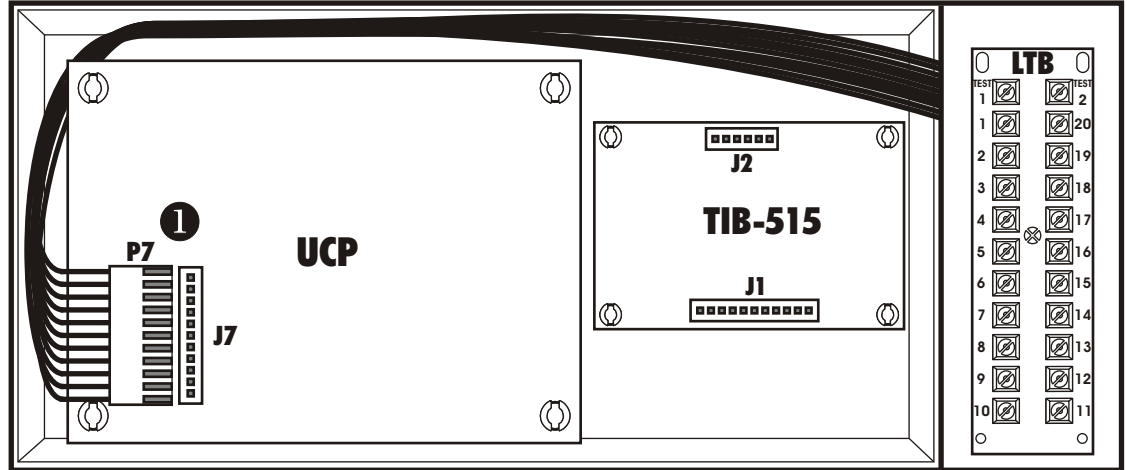
TRANE HVAC CONTROL BOX



BEFORE

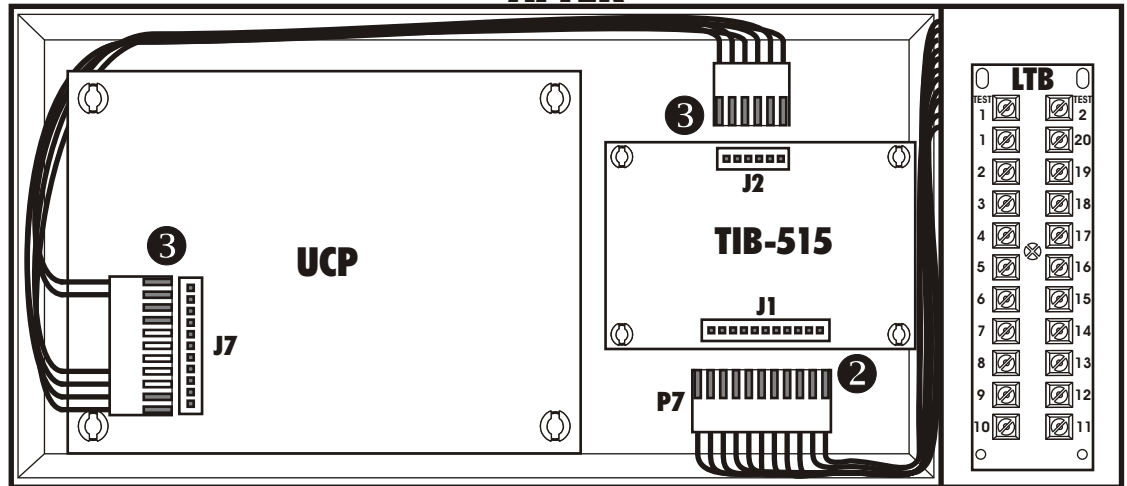
2 TIB-515 Wiring

- 1 At the UCP board:
Remove the P7 connection cable from the J7 terminal block.
- 2 At the TIB-515 board:
Install the P7 connection cable on the J1 terminal block.



AFTER

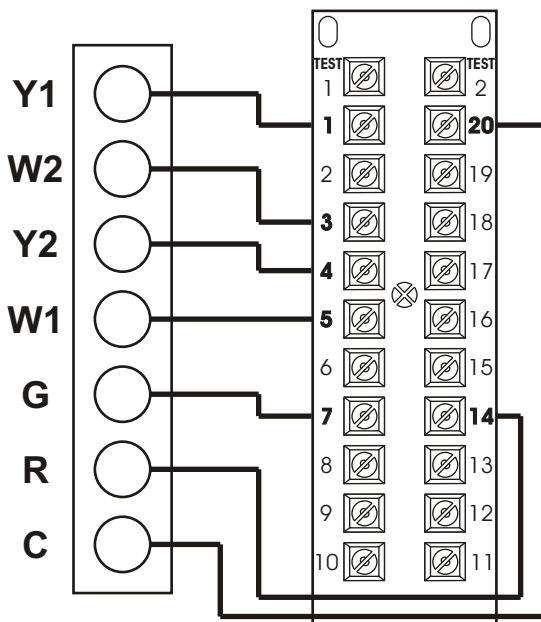
- 3 Connect the J2 terminal block of the TIB-515 to the J7 terminal block of the UCP, using the included TIB-515 connection cable.



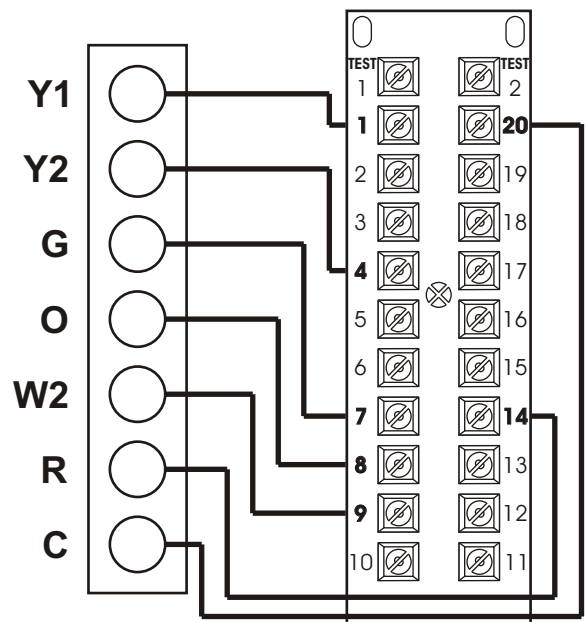
3 Thermostat Wiring

Connect your conventional or heat pump thermostat to the Trane HVAC unit terminal block as shown.

Conventional Thermostat Wiring



Heat Pump Thermostat Wiring



- 4 Place the self-adhesive wiring diagram on the dead front cover and replace all of the panels for the HVAC unit.